



ROLLMAX GROUND ROLLERS

YOUR SOLUTION TO SOIL PREPARATION
AND RESIDUE MANAGEMENT



WHAT IS THE ROLLMAX?

The RollMax is AusCut’s solution to soil preparation and stubble residue management. With the option of a smooth ground roller or a residue cruncher, this machine is a must have.

The heavy-duty 16mm plate roller makes the RollMax ground roller perfect for rolling stones, clods and residue in preparation for crops. It is one sure way to protect your harvester and hay gear.

To manage your stubble residues post harvest, use the RollMax residue cruncher to ensure a smooth planting operation.

SMOOTH GROUND ROLLER

KEY ADVANTAGES:

POST HARVEST APPLICATION

- » Stubble management and residue control. Laying stubble down speeds up breakdown and conserves moisture.
- » Snail and slug control.
- » Provides a level and finished seedbed for hay crops.

POST SEEDING APPLICATION

- » Provides a smooth, level paddock to reduce sprayer wear and tear.
- » Ensures maximum seed germination through the capillary action of rolling.
- » Rolls in stones and soil clods, which is perfect for paddocks used for hay and silage production.
- » Reduces contamination in hay and silage.
- » Ideal for rolling pulse, lintel and chickpea paddocks to reduce wear and tear on flex-front harvester fronts and minimise contamination of seed sample.

ROLLMAX UPGRADE OPTIONS:

- » Upgrade the smooth ground roller to 80mm double-spherical roller bearings with 420kn static load capacity.
- » Upgrade to 265/70R19.5 18pr truck tyres.

STUBBLE CRUNCHER

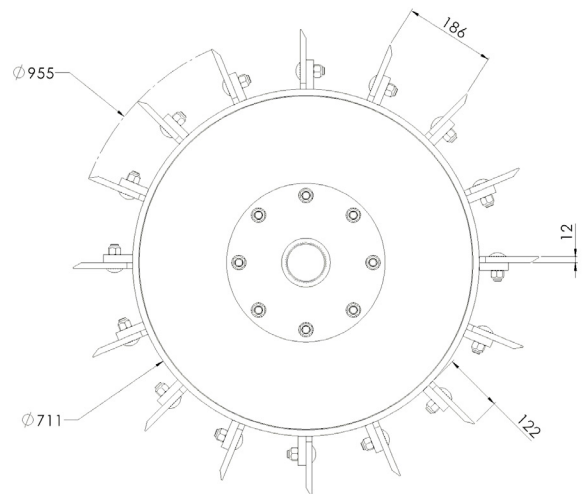
KEY ADVANTAGES:

POST HARVEST APPLICATION

- » Residue management. Chopping canola, chickpea, sorghum and corn residues reduces planter plugging.
- » Light soil cultivation enhances weed seed germination to maximise Autumn spray-outs.

SPRING APPLICATION

- » Perfect for chopping green manure and cover crops, which enhances nitrogen fixation.



| RollMax | Other Competitors |
|--|--|
| 75mm replaceable bearings with 77kn static load capacity | 2.5" replaceable bearings with 40kn static load capacity |
| 2" hinge pins | 1 3/4" hinge pins |
| 3.5m transport width | 3.6m transport width |

**ENGINEERED TO
MAKE YOUR JOB EASIER**



| ROLLMAX SPECIFICATIONS | 42T12 | 42T18 | 42C12 | 42C18 |
|---|--|----------------------------|---|------------------------|
| Description | 12.3m smooth ground roller | 18.3m smooth ground roller | 12.3m residue cruncher | 18.3m residue cruncher |
| Working width (mm) | 12 300 | 18 300 | 12 300 | 18 300 |
| Transport width (mm) | 3500 | 3500 | 3500 | 3500 |
| Weight (kg) | 11 200 | 15 100 | 12 100 | 16 100 |
| Drum diameter (mm) | 1060 | 1060 | 955 | 955 |
| Drum thickness (mm) | 16 | 16 | 16 | 16 |
| Ram size | 8" | 8" | 8" | 8" |
| Approximate tractor minimum horsepower (hp) | 200 | 300 | 200 | 300 |
| Tyres | 11.5/80-15.3 14pr | | | |
| Bearings | 75mm replaceable bearings with 77kn static load capacity | | 80mm double-spherical roller bearings with 420kn static load capacity | |

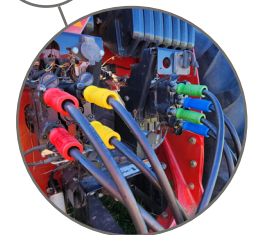
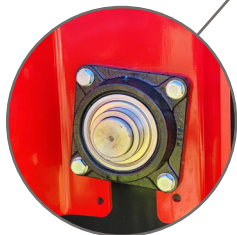
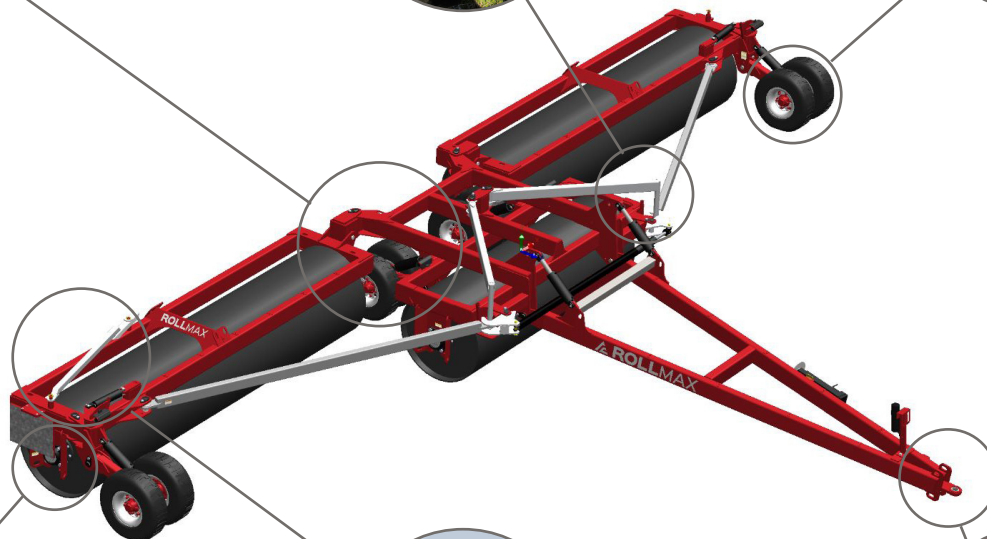
Warranty

1 year

Heavy duty pins and bushes

Hydraulic fold with stay bar

Heavy duty tyres and dual wheels



Extra heavy duty bearings and replacable shafts

Narrow transport with rear safety bar

Colour-coded hydraulic couplings



*Built by Australian farmers,
for Australian farmers*



19 Nangar St, Cowra
NSW 2794 Australia



P: 02 6341 3383
TOLL FREE: 1800 517 417



www.auscutglobal.com.au



hello@auscutglobal.com.au

